

MONOBLOC GT R290 NEW 2024



AW042MUGHA
AW062MUGHA
AW082MUGHA
AW102MUGHA



ATW-A03



HW-WA101DBT
(standard)

Product Data			Monobloc 4kW-1Ph	Monobloc 6kW-1Ph	Monobloc 8kW-1Ph	Monobloc 10kW-1Ph
Model			AW042MUGHA	AW062MUGHA	AW082MUGHA	AW102MUGHA
Heating (LWT 35°C / OAT 7°C)	Capacity	kW	4.00	6.00	8.00	10.00
	Power input	kW	0.73	1.12	1.50	1.96
	COP	-	5.50	5.35	5.35	5.10
Heating (LWT 55°C / OAT 7°C)	Capacity	kW	4.00	6.00	8.00	10.00
	Power input	kW	1.19	1.82	2.35	3.13
	COP	-	3.35	3.30	3.40	3.20
Space heating Average climate water outlet 35°C	SCOP	-	5.10	5.10	5.20	5.10
	ns	%	201	201	205	201
	Energy class	-	A+++	A+++	A+++	A+++
Space heating Average climate water outlet 55°C	SCOP	-	3.85	3.83	3.85	3.83
	ns	%	151	150	151	150
	Energy class	-	A+++	A+++	A+++	A+++
Cooling (LWT 18°C / OAT 35°C)	Capacity	kW	4.00	6.00	7.50	9.50
	Power input	kW	0.79	1.20	1.58	2.21
	EER	-	5.05	5.00	4.75	4.30
Cooling (LWT 7°C / OAT 35°C)	Capacity	kW	3.50	5.00	6.80	8.50
	Power input	kW	0.95	1.37	1.97	2.62
	EER	-	3.70	3.65	3.45	3.25
Outdoor operating temperature range	Heating	°C	-25 ~ 35	-25 ~ 35	-25 ~ 35	-25 ~ 35
	Cooling	°C	10 ~ 48	10 ~ 48	10 ~ 48	10 ~ 48
	DHW	°C	-25 ~ 43	-25 ~ 43	-25 ~ 43	-25 ~ 43
Leaving water temperature range	Heating	°C	20-80	20-80	20-80	20-80
	Cooling	°C	5-25	5-25	5-25	5-25
Storage temperature range(tank)	DHW	°C	25-75	25-75	25-75	25-75
Water piping connection	Inlet/Outlet	inch	R 1/R 1	R 1/R 1	R 1/R 1	R 1/R 1
Expansion tank	L		4.5	4.5	4.5	4.5
Compressor	Quantity	-	1	1	1	1
	Type	-	DC inverter twin rotary			
Refrigerant	Type	-	R290			
	Charge/CO2 Eq.	kg/t	0.8/2.4	0.8/2.4	0.9/2.7	0.9/2.7
Net dimension	(HxWxD)	mm	790 × 1250 × 380	790 × 1250 × 380	790 × 1250 × 380	790 × 1250 × 380
Packing dimension	(HxWxD)	mm	1022 × 1395 × 595	1022 × 1395 × 595	1022 × 1395 × 595	1022 × 1395 × 595
Net/Gross weight	kg		94/127	94/127	106/139	106/139
Sound Pressure level*(1)		dB(A)	44	47	48	49
Sound power level*(1)		dB	55	58	59	60
Power supply		V/-/Hz	220-240/1/50	220-240/1/50	220-240/1/50	220-240/1/50
Max. running current		A	13.5	13.5	18.6	18.6
Recommended circuit breaker		A	16.0	16.0	20.0	20.0
Accessory	Wired controller	-	HW-WA101DBT (Standard)			
	PCB Box	-	ATW-A03 (Standard)			
	Filter	-	Y-type (Standard)			



R290



A+++/A+++



Max. 80°C
hot water



Climate Curve



2 Zone Control



Auto Mode



Smart Grid



Modbus



DHW Tank
Solar Control



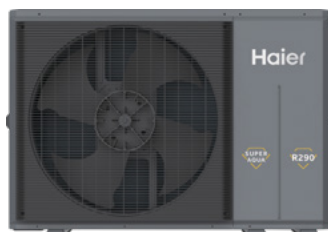
Pool Heating



Anti-freezing

Note: *(1)The testing conditions refer to EN14511-2018 and the testing method refers to EN12102-2017(A7/W35)

MONOBLOC GT R290 NEW 2024



AW122MXGHA
AW142MXGHA
AW162MXGHA

AW12NMXGHA
AW14NMXGHA
AW16NMXGHA



ATW-A03



HW-WA101DBT
(standard)

Product Data			Monobloc 12kW-1Ph	Monobloc 14kW-1Ph	Monobloc 16kW-1Ph	Monobloc 12kW-3Ph	Monobloc 14kW-3Ph	Monobloc 16kW-3Ph
Model			AW122MXGHA	AW142MXGHA	AW162MXGHA	AW12NMXGHA	AW14NMXGHA	AW16NMXGHA
Heating (LWT 35°C / OAT 7°C)	Capacity	kW	12.00	14.00	16.00	12.00	14.00	16.00
	Power input	kW	2.35	2.83	3.23	2.35	2.83	3.23
	COP	-	5.10	4.95	4.95	5.10	4.95	4.95
Heating (LWT 55°C / OAT 7°C)	Capacity	kW	11.50	13.50	15.50	11.50	13.50	15.50
	Power input	kW	3.48	4.22	5.08	3.48	4.22	5.08
	COP	-	3.30	3.20	3.05	3.30	3.20	3.05
Space heating Average climate water outlet 35°C	SCOP	-	4.82	4.80	4.80	4.82	4.80	4.80
	ns	%	190	189	189	190	189	189
	Energy class	-	A+++	A+++	A+++	A+++	A+++	A+++
Space heating Average climate water outlet 55°C	SCOP	-	3.85	3.83	3.85	3.85	3.83	3.85
	ns	%	151	150	151	151	150	151
	Energy class	-	A+++	A+++	A+++	A+++	A+++	A+++
Cooling (LWT 18°C / OAT 35°C)	Capacity	kW	11.50	13.50	15.50	11.50	13.50	15.50
	Power input	kW	2.56	3.14	3.88	2.56	3.14	3.88
	EER	-	4.50	4.30	4.00	4.50	4.30	4.00
Cooling (LWT 7°C / OAT 35°C)	Capacity	kW	10.00	12.00	14.00	10.00	12.00	14.00
	Power input	kW	2.99	3.75	4.52	2.99	3.75	4.52
	EER	-	3.35	3.20	3.10	3.35	3.20	3.10
Outdoor operating temperature range	Heating	°C	-25 ~ 35	-25 ~ 35	-25 ~ 35	-25 ~ 35	-25 ~ 35	-25 ~ 35
	Cooling	°C	10 ~ 48	10 ~ 48	10 ~ 48	10 ~ 48	10 ~ 48	10 ~ 48
	DHW	°C	-25 ~ 43	-25 ~ 43	-25 ~ 43	-25 ~ 43	-25 ~ 43	-25 ~ 43
Leaving water temperature range	Heating	°C	20-80	20-80	20-80	20-80	20-80	20-80
	Cooling	°C	5-25	5-25	5-25	5-25	5-25	5-25
Storage temperature range(tank)	DHW	°C	25-75	25-75	25-75	25-75	25-75	25-75
Water piping connection	Inlet/Outlet	inch	R 1/R 1	R 1/R 1	R 1/R 1	R 1/R 1	R 1/R 1	R 1/R 1
Expansion tank	L		8	8	8	8	8	8
Compressor	Quantity	-	1	1	1	1	1	1
	Type	-	DC inverter twin rotary					
Refrigerant	Type	-	R290					
	Charge/CO2 Eq.	kg/t	1.05/3.15	1.05/3.15	1.25/3.75	1.05/3.15	1.05/3.15	1.25/3.75
Net dimension	(HxWxD)	mm	880 × 1380 × 460	880 × 1380 × 460	880 × 1380 × 460	880 × 1380 × 460	880 × 1380 × 460	880 × 1380 × 460
Packing dimension	(HxWxD)	mm	1112 × 1526 × 675	1112 × 1526 × 675	1112 × 1526 × 675	1112 × 1526 × 675	1112 × 1526 × 675	1112 × 1526 × 675
Net/Gross weight	kg		127/165	127/165	136/174	142/180	142/180	151/189
Sound Pressure level*(1)	dB(A)		52	53	55	52	53	55
Sound power level*(1)	dB		63	64	66	63	64	66
Power supply	V/-/Hz		220-240/1/50	220-240/1/50	220-240/1/50	380-415/3/50	380-415/3/50	380-415/3/50
Max. running current	A		30.6	30.6	34.8	10.2	10.2	11.6
Recommended circuit breaker	A		32.0	32.0	40.0	16.0	16.0	16.0
Accessory	Wired controller	-	HW-WA101DBT (Standard)					
	PCB Box	-	ATW-A03 (Standard)					
	Filter	-	Y-type (Standard)					



R290



A+++ / A+++



Max. 80°C hot water



Climate Curve



2 Zone Control



Auto Mode



Smart Grid



Modbus



DHW Tank Solar Control



Pool Heating



Anti-freezing

Note: *(1) The testing conditions refer to EN14511-2018 and the testing method refers to EN12102-2017(A7/W35)

MONOBLOC GT R290 NEW 2024

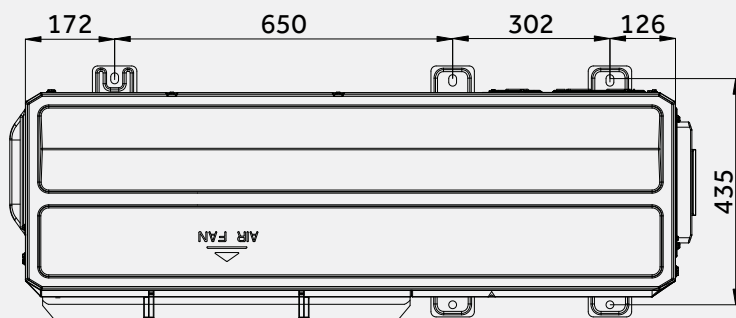
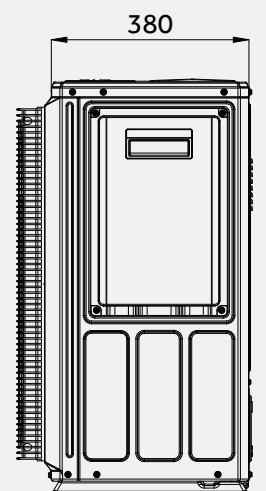
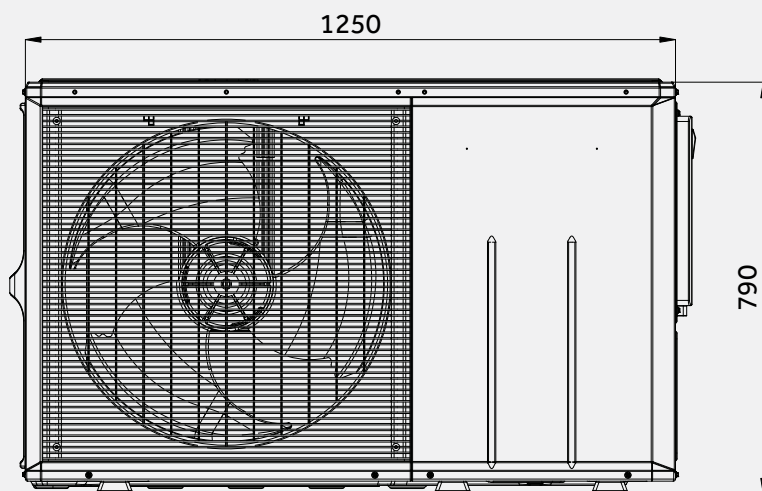
MONO GT

AW042MUGHA

AW062MUGHA

AW082MUGHA

AW102MUGHA



MONOBLOC GT R290 NEW 2024

MONO GT

AW122MXGHA
AW142MXGHA
AW162MXGHA
AW12NMXGHA
AW14NMXGHA
AW16NMXGHA

